

GPS SGC - 650 COMPASS

High precision and stability (0.3° RMS) of heading
Two antennas with **Two-axis gyro sensor** and acceleration sensor!



- Compliant with IMO MSC,116(73) Standard
- Short set up (Within 2mins)
- Easy installation and maintenance
- Instant tracking response (45°/s)
- Outputs full performance of azimuth, roll, pitch, ROT, COG, position, time and velocity.
- High velocity of data output (Max 115200 BPS)



GPS SGC-650

SPECIFICATION

General

Receiver Type	50 - channel, L1 Frequency
Rx Frequency	1575.42 MHz(+1 MHz)
Rx Code	C/A code, SBAS
Position Accuracy	GPS : 2,5m CEP, SBAS : 2,0m CEP
Heading Accuracy	0,3°rms
Follow - Up	45°/s rate - of - turn
Settling Time	≤ 2 minutes
Pitch/Roll angle	Less than 60°

Interface

Data Protocol	AD - 10 / NMEA0183
Serial Ports	RS - 422 : Input (1 PORT) / Output (2PORT)
Baud rates	RS - 232 : Input (1 PORT) / Output (1PORT)
Data bit	4800, 9600, 19200, 38400, 57600, 115200 bps
Output interval	8 bit, parity : none, stop bit : 1 bit
Sentence	1, 2, 5, 10, 20, 50Hz
	HDT, ROT, ATT, GBS, GLL, GSA, GSV, VTG, THS, ALR, DTM, GGA, GNS, GST, RMC, ZDA

Power

Power Supply	DC12V - 24V (9~33V), 2,5W
--------------	---------------------------

Configuration&EMC

Storage Temperature	-25°C ~ +75°C
Operating Temperature	-25°C ~ +55°C
Waterproofing	IPX6
Vibration	IEC60945
EMC	IEC60945
Compass Safe Distance	0,5M

680(W) x 230(D) x 135 (H) mm / 2,5 Kg

COMPONENT

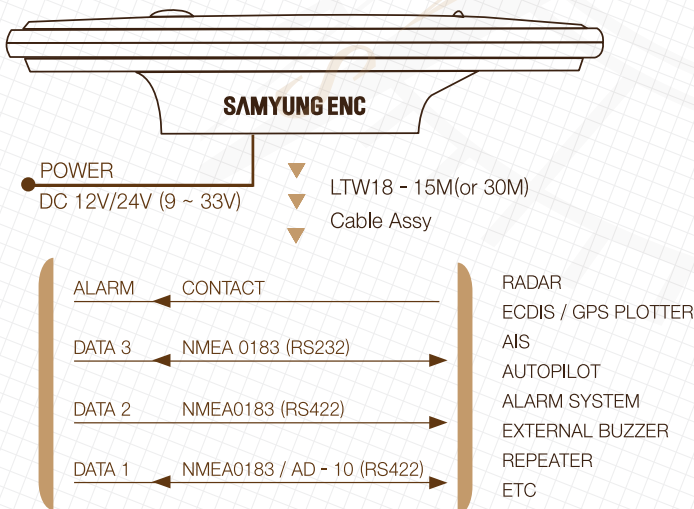
STANDARD

Main	SGC - 650
Installation Kit	SGC - 650 - A
Anti-Bird Kit	SGC - 750A - BSA
Korean-Manual	SGC - 650 - MK

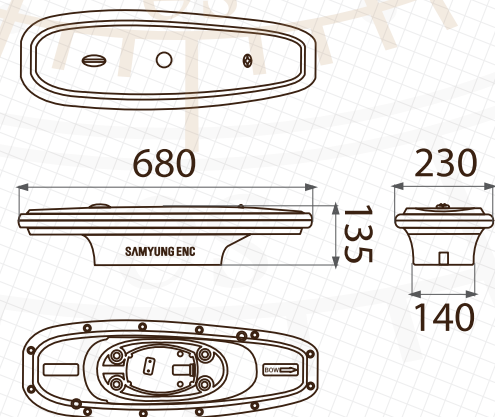
OPTION

Extension Cable	LTW18 - 30M - 00
Antenna	SGC - 650A - M(S)
Installation Board	SGC - 650A - M(L)

CONFIGURATION DIAGRAM



DIMENSION & WEIGHT



680(W) x 230(D) x 135(H) mm / 2.5 Kg

 **SAMYUNG ENC Co., Ltd.**

69, Sangri-Ro, Youngdo-Gu, Busan, Korea, 49089(Dongsam-Dong)
 Head Office : +82 51-601-6666(Rep) Fax : +82 51-412-6616
 Marketing&Service Division : +82 51-601-5555(Rep) Fax : +82 51-413-4446, 601-5540
 +82 1577-0198(ARS) Fax : +82 51-416-5515
 CIS Center : overseas@samyungenc.com(Overseas Marketing&Service Team)



ISO 9001:2000 / KS A 9001:2001
 Certificate No. : RQM0645



※ Technical specification maybe changed without prior notice