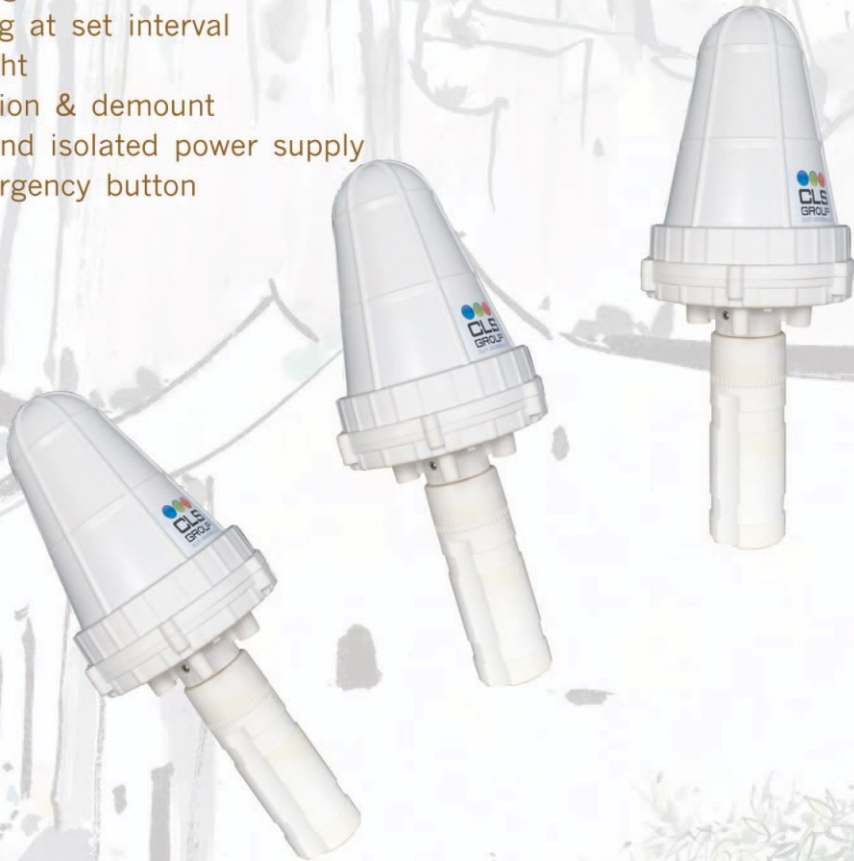


- Argos satellite tracking
- Global coverage
- Data reporting at set interval
- IP66 watertight
- Easy installation & demount
- Wide range and isolated power supply
- Optional emergency button



- Designed to use for harsh environments at sea.
- Robust design to stand hitting or falling during installation and demount.
- GPS module with high sensitivity for fast position fixing.
- Easy installation, with connection cables finished at factory.
- LED Indication for power and transmission.
- Special power supply unit is used. Isolated input, wide range voltage and EMC/EMI compatible.
- Low-power-consumption design to ensure 48+ hours continuous operation with backup batteries.

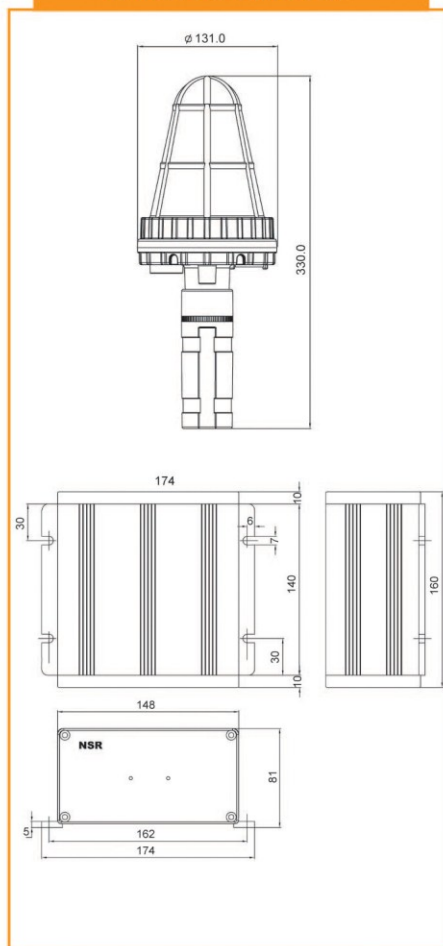
## SPECIFICATIONS

<b>General</b>	Model	NEB-6000
	Case Material	Nylon + glass
	Color	White or grey
	IP Grade	IP66
<b>Physical</b>	Transmitter	φ 131x 330mm, 1.9 kg
	PSU	174 x 160 x 81 mm, 1.2kg
<b>Transmitter</b>	Frequency	401.620MHz to 401.680 MHz
	Output Power	3W ± 2dB
	TX Interval	90s or configurable
<b>GPS Receiver</b>	Type	Built-in GPS antenna
	Center Frequency	L1-1575.42MHz
	Channels	50
	GPS Fixing Time	≤1 minute
<b>Indication</b>	Power On	LED
	Transmitting	LED
	Power Status	LED
<b>Backup Battery</b>	Type	Ni-Mh battery
	Total Voltage Rating	9.6 V
	Operating Hours	≥48hrs
<b>Power Supply</b>	Nominal	DC24V
	Range	DC12V~38V
	Terminals	Isolated from ground
<b>Environment</b>	Operating Temperature	-20℃ ~ +50℃
	Storage Temperature	-30℃ ~ +70℃

## EQUIPMENT LIST

- **STANDARD**
  - Transmitter (NEB-6000) 1 pc
  - DC PSU (NPS-125) 1 pc
  - Connection Cable 15m
  - Power Cable 2m
  - Accessories 1 set
- **OPTIONS**
  - Assistance Button 1 pc

## SIZE DIMENSION



## SYSTEM DIAGRAM

