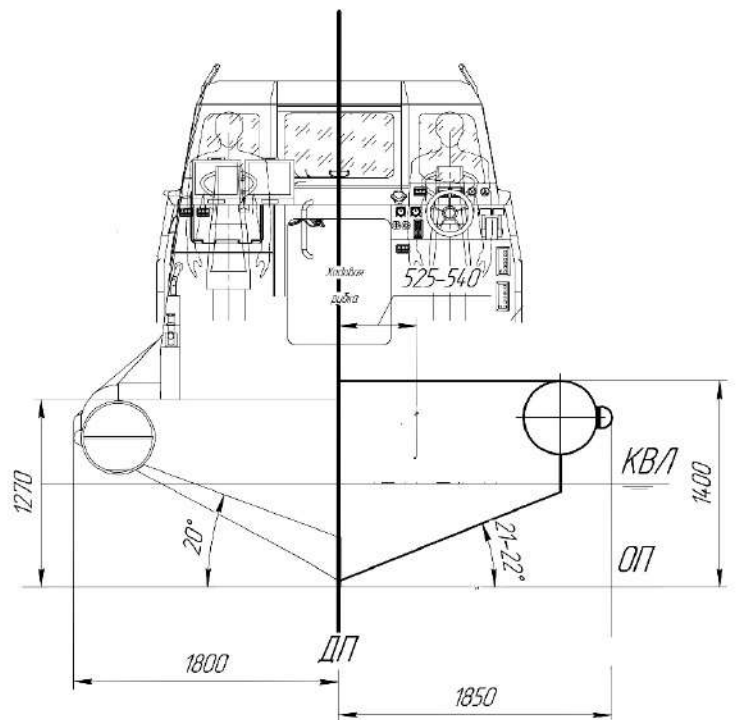


## Arctic Bort – 15



The company "Arctic" offers a boat of high molecular weight HDPE, optimal for use in northern conditions and southern conditions, in the manufacture of additives added to protect against UV radiation - "Arctic Bort 15". The boat is made according to the principle of RIB hull models with cylinders, but the main difference and advantage over RIB boats is our cylinders, they have a rigid structure (cylinder thickness 15.3 mm) are not pierced, they are not eroded, they are filled with polystyrene, for greater protection they are mounted with a fender. Also, the cylinders give the vessel excellent stability and unsinkability. At the request of the customer, it is possible to install various off-deck equipment, various colors of the boat, interior decoration.

Especially for this model, a new bottom shape was developed. The added additional cheekbone gives a great advantage for the instant exit of the boat on the glider, it also increased the speed of the vessel.



#### Technical specifications:

Length 15m; width 3,5m; height with mast retracted 3.5m; empty displacement 7.0t; carrying capacity 3.0t, passenger capacity 12 people, stroke rate of 50% loading on two Yamaha 300 L / s PLM - 30 knots, wave height up to 2 meters.

#### Equipment:

Steering console, steering wheel, gas / reverse machine, battery - 4 pcs, electric pump. - 3 pcs., Navigation mast, radio station; Webasto heaters or air conditioners; navigation lights, locker sofas in the superstructure, two seats for the navigator and the navigator, splash-proof portholes (triplex), splash-proof I / O door to the superstructure; anchor-mooring device, 800l fuel system, spray hatch in the superstructure, ventilation, fire extinguishing system; electric power system; main Yamaha PLM 300 x 2pcs; engine control devices; hydraulic control system, wipers, fender beam, deck and gangways are covered with corrugated AMG, gangways for lowering and raising divers.

**Possible additional equipment:**

Navigation equipment: radar, multifunction display, echo sounder, etc. (according to customer requirements); shore food; inverter 12 / 220V; latrine; galley; cabin, various marine furniture, alteration of the bow under the cabin, installation of a lifting device on the deck.

**Extra cost specify specifications on request.**



This model can be used for various purposes - defense industry, research vessel, fishing, tourism, fish farming or aquaculture, oil and gas industry, diving, etc.

