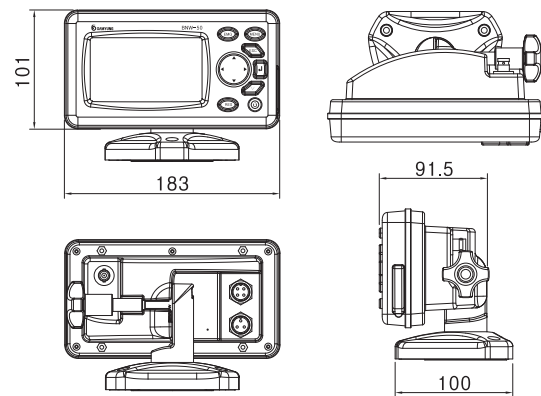
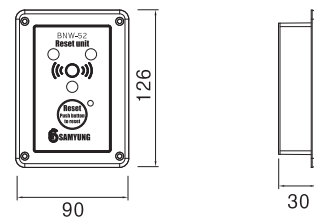


◆ Dimensions ◆

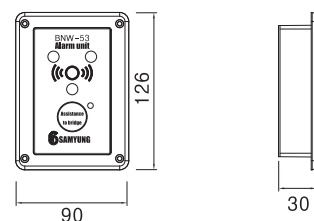
-DISPLAY UNIT (BNW-50)



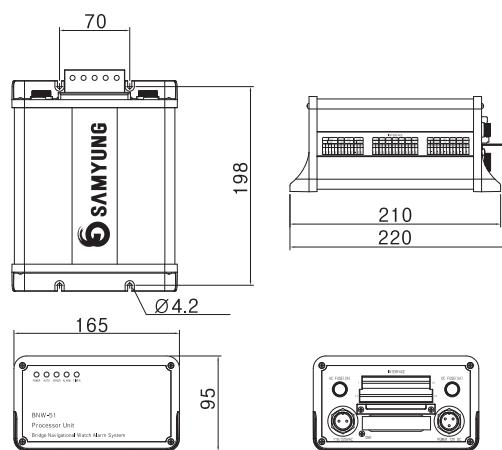
-RESET UNIT (BNW-52)



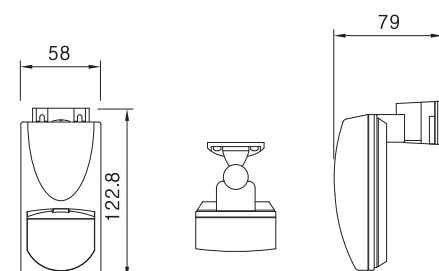
-ALARM UNIT (BNW-53)



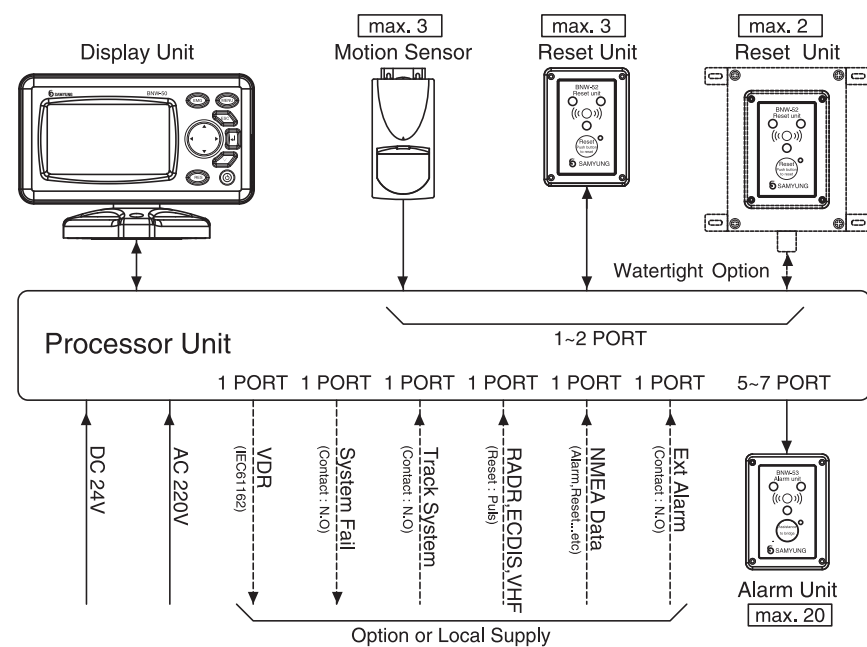
-PROCESSOR UNIT (BNW-51)



-MOTION SENSOR (DND-300M)



◆ Configuration ◆



◆ Components ◆

- Standard
 - Display unit (BNW-50) ----- 1set
 - Processor unit (BNW-51) ----- 1set
 - Reset unit (BNW-52) ----- 3set
 - Alarm unit (BNW-53) ----- 7set
 - Motion sensor (DND-300M) ----- 2set
 - Installation materials, instruction manual

- Option
 - Desk type bracket (BNW-B)
 - Watertight type Reset unit (BNW-52W)
 - Various unit installation cable

* Specification is subject to change without pre-notice

SAMYUNG ENC Co.,Ltd.
 : 1123-17, Dongsam-Dong, Youngdo-Gu,
 Busan, Korea, 606-083
 Tel : 82-51-601-5532(Rep.) Fax : 82-51-413-4446
 : 65-20, 2-Ga Namhang-Dong, Yungdo-Gu,
 Busan, Korea, 606-032
 Tel : 82-51-601-5570-4(Rep.) Fax : 82-51-416-5515
 Http : //www.samyungenc.com

KMAR ISO 9001:2000 / KS A 9001:2001
 Certificate No. : RQM0645



www.samyungenc.com

Bridge *N*avigational Watch *A*larm *S*ystem



BNW-50

SAMYUNG ENC Co.,Ltd.

Bridge Navigational Watch Alarm System **BNW-50**

◆ BNWAS Characteristics ◆

- Comply with IMO Res. 128(75), IMO Res.A.694(17), IEC 62616(2010), IEC 60945(2002) & IEC 61162(2007).
- ALR (alarm) sentence output (IEC 61162) for VDR.
- Responds to the other navigational equipment's ALR (alarm) and EVE(event) sentence input.
- Time display function once GPS signal is connected.
- Easy to extend the function due to the availability of various options.
- Function that monitors the bridge activity and detects operator disability which could lead to marine accidents
- Alerts the stand-by officer when the watch officer does not responds to the visual and audible alarm.
- Equipped with emergency call and navigator call button.
- Automatic reset function that detects the movement of the watch officer by using the motion sensor.
- Use of password protects the control of setup menu
- Easy to operate since display uses numbers and graphics.



DISPLAY UNIT(BNW-50)

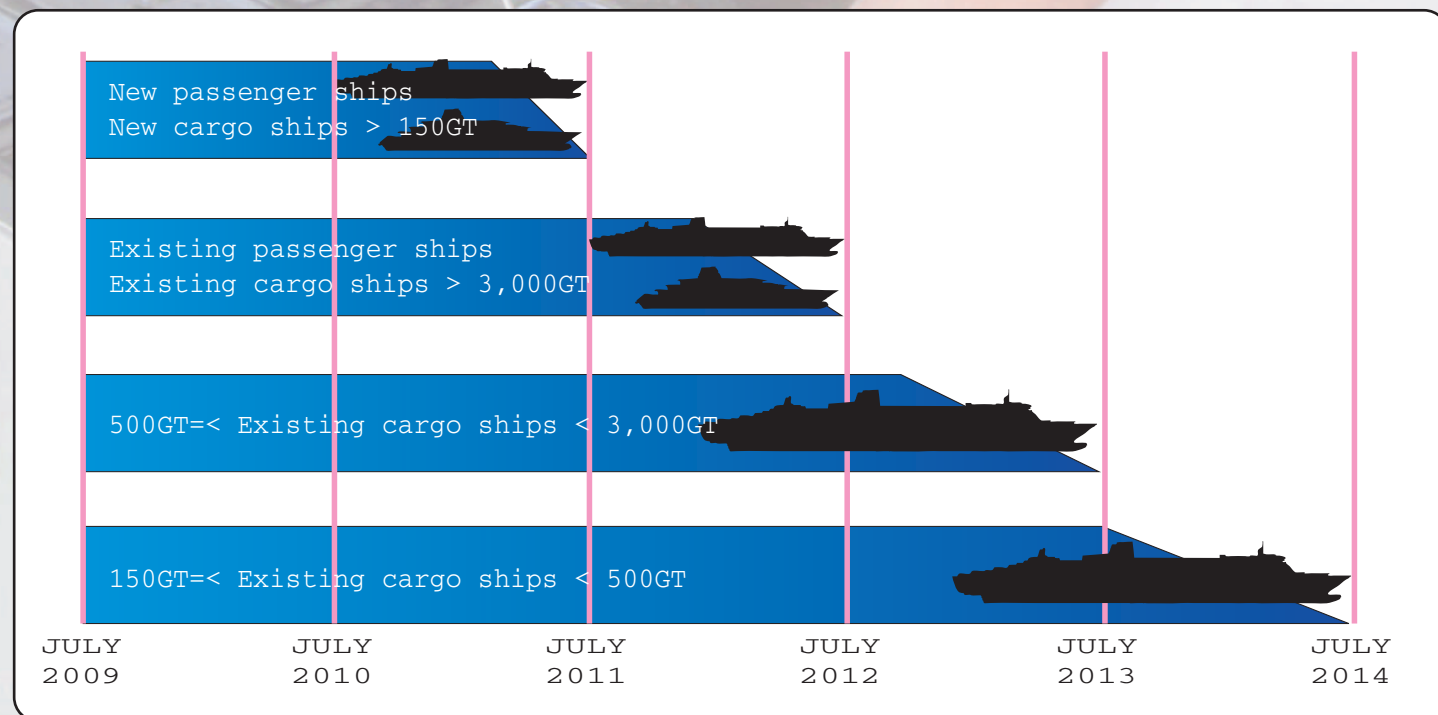


PROCESSOR UNIT(BNW-51)

RESET UNIT(BNW-52/52W)

ALARM UNIT(BNW-53)

◆ Implementation schedule of BNWAS ◆



◆ Product Specification ◆

◆ DISPLAY UNIT (BNW-50)

- Screen size : 4.3 inch TFT color LCD, 470 x 272 pixels
- Power consumption : 130mA, power save mode 70 mA (24 V DC)
- Size : 129 x 183 x 113.5 mm (HxWxD)
- Weight : 0.5Kg
- Operation temperature : -15 °C ~ 55 °C

◆ PROCESSOR UNIT (BNW-51)

- Main power supply : 110V / 220V AC
- Back-up power supply : 24V DC (for 6 hour, min 3 Ah)
- Power consumption : 130mA
- Size : 221 x 165 x 95 mm (HxWxD)
- Weight : 1.5Kg
- Operation temperature : -15 °C ~ 55 °C
- Interface : Inputting reset pulse by radar.



Inputting interface of operating track controller
 Inputting NMEA data(Reset, alarm, etc)
 Inputting DC12V power supply and reset of motion sensor and reset unit.
 Outputting the alarm signal for reset and alarm unit.
 Outputting the NMEA data for blackbox(VDR)
 Outputting the alarm interface for machine breakdown
 Outputting the interface for the external unit's alarm.
 Input/Output DC23V power supply and RS-232 communication for display unit.

◆ RESET UNIT (BNW-52)

- Power consumption : max 34mA / unit (24 V DC)
- Size : 126 x 90 x 30 mm (HxWxD)
- Weight : 0.2Kg (flush type), 0.5Kg (desk type), 0.5Kg (watertight type)
- Operation temperature : -15 °C ~ 55 °C
- Level of water resistance : IP67(watertight type)
- Level of sound : Over 75 dB
- Function : Reset, visual alarm, 1st stage audible alarms are combined (You may choose one function if you wish to).



◆ ALARM UNIT (BNW-53)

- Power consumption : max 30mA / unit (24 V DC)
- Size : 126 x 90 x 30 mm (HxWxD)
- Weight : 0.2Kg (flush type), 0.5Kg (desk type)
- Operation temperature : -15 °C ~ 55 °C
- Level of sound : Over 75 dB



◆ MOTION SENSOR (DND-300M)

- Power consumption : Operating = 26mA / unit , Stand-by = 17mA / unit (12 V DC)
- Detection method : Quad-element PIR and microwave pulse doppler
- MW frequency: 10.525GHz
- Size : 115 x 61 x 37.5 mm (HxWxD)
- Weight : 120g (Bracket excluded)
- Operation temperature : -15°C~ 55°C
- Detective angle : 120°~150°
- Detective rage : 15m (Standard)
- Pre-heating time : 1 minute

