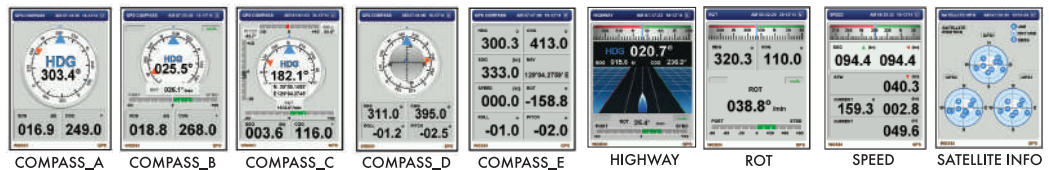


GPS COMPASS SGC-750



- ✔ Compliant with IMO MSC,116(73) Standard
- ✔ High precision and stability(0.5°RMS) of heading with three-axis antenna
- ✔ 5.6 inch vivid color TFT LCD panel
- ✔ Short set up(within 2mins) and high accuracy
- ✔ Instant tracking response(45°/s)
- ✔ Outputs full performance of intergrated roll, pitch and rate of turn
- ✔ High velocity of data output(max 115200 BPS)

SPECIFICATION

Receiver Type	50-channel, L1 Frequency
Rx Frequency	1575.42 MHz(+1MHz)
Rx Code	C/A code, SBAS
Position Fixing System	ALL-in-view, 8-state Kalman filter
Position Accuracy	GPS : 2.5m CEP, SBAS : 2.0m CEP
Heading Accuracy	±0.5°rms
Display Resolution	0.1°rms
Resolution Output	0.1° / 0.01°(selectable)
Follow-Up	45's rate - of - turn
Settling Time	≤ 2 minutes
Roll/Pitch Output	-60° - 60°
Transmission Speed	4800, 9600, 19200, 38400, 57600, 115200 bps
Output Interval	20ms, 25ms, 50ms, 100ms, 200ms, 500ms, 1sec, 2sec, 3sec
Sentence	HDT, ROT, ATT, GBS, GLL, GSA, GSV, MSS, VTG, THS, ALR, DTM, GGA, GNS, GST, RMC, ZDA
Current data Input	1PORT(CUR, VBW)
Alarm contact Signal	2PORT (ALARM OUTPUT), 1PORT(ACK INPUT)
Display Type	5.6inch, TFT color LCD, 480 x 640 pixel
Effective Area	85mm (H) x 113mm (W)
Contrast	10 levels
Display Mode	Highway, Compass, Heading, ROT, Nav', Roll/Pitch, Speed, GPS status
Power Supply	DC12V -24V (15W)
Storage Temperature	-25°C~+75°C
Operating Temperature	PROC' & DISP': -15°C ~ +55°C, ANT: -25°C ~+55°C
Waterproofing	PROCESSOR: IPX2, DISPLAY: IPX4, ANTENNA: IPX6
Vibration	IEC60945
EMC	IEC60945
Compass Safe Distance	0.5M

COMPONENT

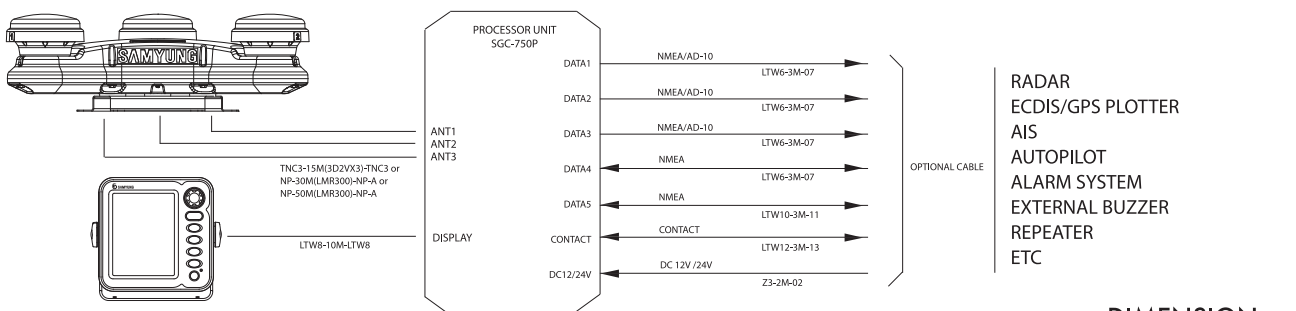
STANDARD

DISPLAY UNIT	SGC-750D
ANTENNA UNIT	SGC-750A
PROCESSOR UNIT	SGC-750P
INSTALLATION KIT	
MANUAL	

OPTION

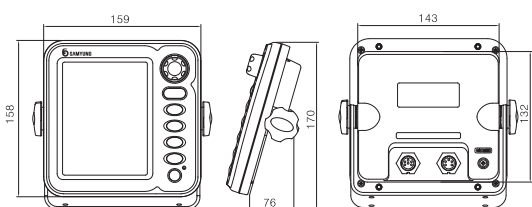
- ANTENNA STANDARD 15m CABLE (TNC3-15M(3D2VX3)-TNC3)
- ANTENNA EXTENDED 30m CABLE (NP-30M(LMR400)-NP-A)
- ANTENNA EXTENDED 50m CABLE (NP-30M(LMR400)-NP-A)
- DATA, 6pin CABLE (LTW6-3M-07)
- DATA, 10pin CABLE (LTW10-3M-11)
- DATA, 12pin CABLE (LTW10-3M-13)
- ANTENNA INSTALLATION BOARD , 035 U-BOLT TYPE (SGC-750A-M(S))
- ANTENNA INSTALLATION BOARD , 050 U-BOLT TYPE (SGC-750A-M(L))
- ANTI-BIRD KIT (SGC-750A-BRK)

CONFIGURATION DIAGRAM



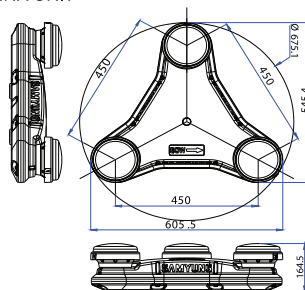
DIMENSION

DISPLAY UNIT



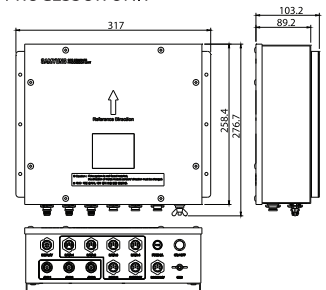
176(W) x 76(D) x 170(H) mm /0.7Kg

ANTENNA UNIT



Ø 675 x 164(H) mm /4.8Kg

PROCESSOR UNIT



317(W) x 103(D) x 277(H) mm / 3.5Kg