

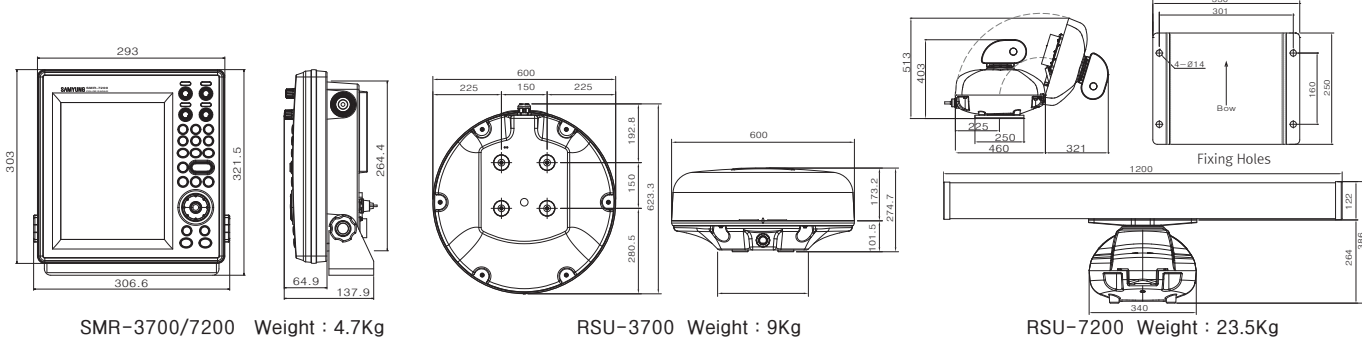
10.4" Color LCD RADAR

SMR-3700/7200

◆ SPECIFICATIONS

| | SMR-3700/RSU-3700 | SMR-7200/RSU-7200 |
|-------------------------|---|--|
| |  |  |
| ANTENNA | | |
| Type | Dome-type antenna | Bar-type antenna |
| Output power | 4KW | 6KW |
| Tx frequency | 9410±30MHz | 9410±30MHz |
| Revolution | approx. 24rpm | approx. 24rpm |
| Beam width | Horizontal 4.0° / Vertical 25° | Horizontal 2.0° / Vertical 25° |
| Synchronism method | Automatic / Manual switch over | Automatic / Manual switch over |
| Operation temperature | -25℃~+55℃ | -25℃~+55℃ |
| Relative humidity | 35%~95% | 35%~95% |
| Relative wind velocity | 51.5 m/sec(100 Knots) | 51.5 m/sec(100 Knots) |
| DISPLAY UNIT | | |
| Display unit | 10.4" Color VGA TFT LCD, Vertical display | 10.4" Color VGA TFT LCD, Vertical display |
| Resolution | 640×480 | 640×480 |
| Indication type | scan type | scan type |
| Distance range | 0.0625, 0.125, 0.25, 0.5, 0.75, 1, 1.5, 2, 3, 6, 12, 24, 36nm | 0.0625, 0.125, 0.25, 0.5, 0.75, 1, 1.5, 2, 3, 6, 12, 24, 36, 48, 64, 72nm |
| Minimum distance | within 25m | within 25m |
| Azimuth accuracy | within ± 1° | within ± 1° |
| Azimuth resolving power | 4.2° | 2.1° |
| VRM | .000 ~ 36NM display in digital | .000 ~ 72NM display in digital |
| EBL | 000° ~ 359° display in digital | 000° ~ 359° display in digital |
| Indication of bow | electronic type | electronic type |
| Display mode | head-up, north-up, course-up | head-up, north-up, course-up |
| Operation temperature | -15℃ ~ +55℃ | -15℃ ~ +55℃ |
| Pre-heat time | approx. 90 sec. | approx. 90 sec. |
| Input data | NMEA 0183(2port), AIS(RS-422) | NMEA 0183(2port), AIS(RS-422) |
| Consumption power | 60W | 85W |
| Power supply | DC +24V / +12V | DC +24V |

◆ DIMENSIONS



* Specification is subject to change without pre-notice

SAMYUNG ENC Co.,Ltd.

Head Office : 1123-17, Dongsam-Dong, Youngdo-Gu, Busan, Korea, 606-083
 Tel : 82-51-601-5530(Rep.) Fax : 82-51-413-4446
 A/S Center : 65-20, 2-Ga Namhang-Dong, Yungdo-Gu, Busan, Korea, 606-032
 Tel : 82-1577-0198(ARS) Fax : 82-51-416-5515
 Http : //www.samyungenc.com

KMAR ISO 9001:2000 / KS A 9001:2001
 Certificate No. : RQM0645

KAB

www.samyungenc.com

4KW/36NM | 6KW/72NM
10.4" LCD MARINE RADAR

New

SMR-7200

SAMYUNG ENC Co.,Ltd.



4KW/36NM | 6KW/72NM 10.4" LCD MARINE RADAR



6KW/72NM



SMR-7200/RSU-7200

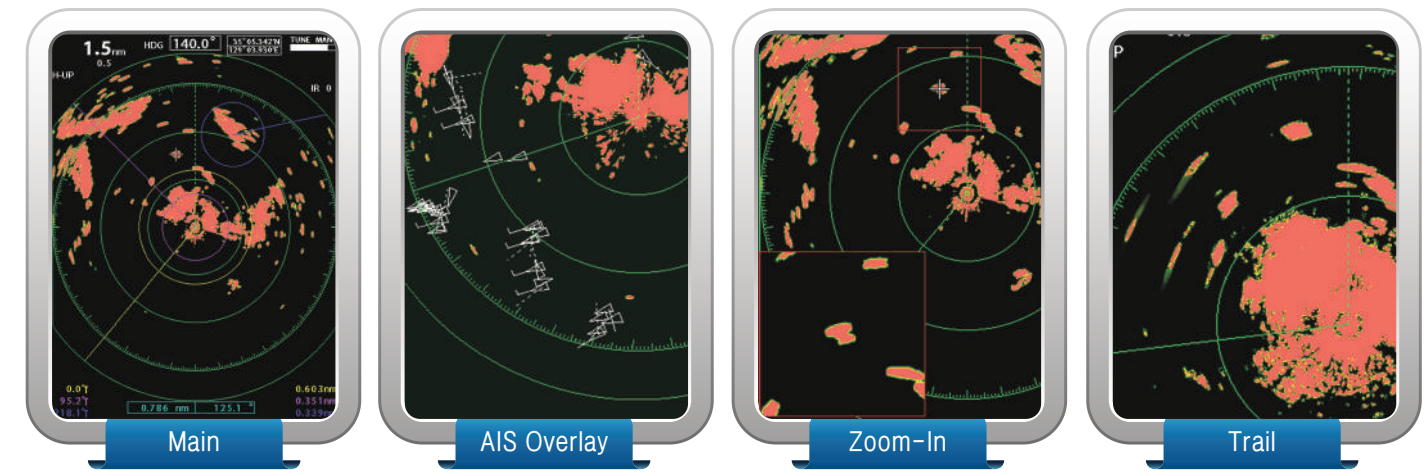
- Zoom-In the special target area-

- Superior ability to display closed range targets -

FEATURES

- Overlay with AIS targets.
- Able to Zoom-In the selected special target area.
- Strengthened ability to display short range targets.
- Able to choose color brightness in 10 levels for navigation at night.
- Can choose the screen color within white, yellow, green.
- Intermittent Tx mode : can operate with low electricity consumption.
- Dynamic cursor speed with 8 directional keys adopted.
- Can move screen center point and observe the long distance of the desired direction.
- Display parallel line : Can maintain certain distance between other vessel.

DISPLAY MODE

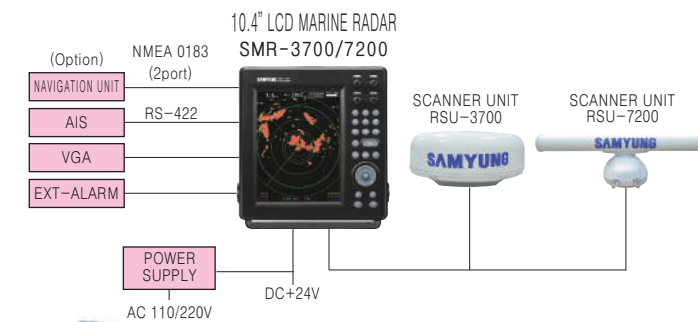


4KW/36NM



SMR-3700/RSU-3700

CONFIGURATION



COMPONENTS

- BASIC COMPONENT
- Display Unit (SMR-3700/7200) 1SET
- Antenna (RSU-3700/7200) 1SET
- Installation materials, spare parts, instruction manual 1LOT

