

# MARINE DSC/VHF RADIO TELEPHONE

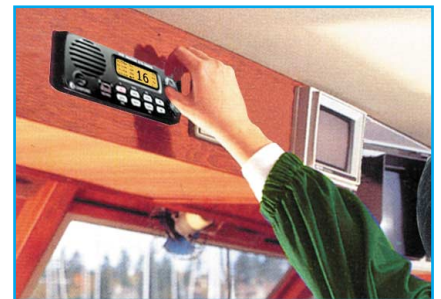
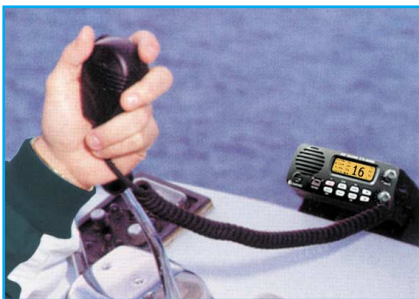
- Super compact & light weight for easy installation
- Completed with built-in DSC function
- Compliant with IMO, ITU standards
- Waterproof designed for easy installation and durability

**Smaller size !!  
Improved performance !!**

**NEW**  
• Built-in DSC  
• Simplex & Semi-Duplex



## STR-6000D





# MARINE DSC/VHF RADIO TELEPHONE

# STR-6000D

STR-6000D DSC/VHF Radio is the essence of STR VHF Series designed with SAMYUNG ENC's state-of-the-art technology and experience amassed for a long time.

Breaking from the conventional concept, its super compact & light weight design with Built-in DSC allows user to install the equipment with ease. Designed to meet ITU, IMO standards, it will provide a variety of vessels with the best performances and excellent waterproof function.

## FEATURES

- ▶ Includes all channels specified in ITU-RR(NOAA Weather channel)
- ▶ DUAL/TRIAL WATCH function and TAG SCAN function built-in.
- ▶ 20 MMSI number in 3 groups-MMSI number save, edition and call function.
- ▶ Transmission of one's position and distress message through GPS connection in any emergent case.
- ▶ Big display of channels and 4-line indication of function on big screen.
- ▶ Priority selection of Ch.16 and adoption of noise free mic.
- ▶ Built-in special speaker with high volume.
- ▶ Direct input of frequency by user.
- ▶ Compact & light design for any-where installation.

## SPECIFICATIONS

### GENERALS

- TX Frequency : 156.025~157.425MHz
- RX Frequency : 156.050~163.275MHz
- Communication Mode : Simplex and Semi-Duplex
- Channel Number : 178 channels (ITU 55, USA 53, CAN 60, WEA 10)
- Type of Emission : FM(16K0G3E), DSC(16K0G2B)
- Freq. Stability :  $\pm 10$  ppm( $-20^{\circ}\text{C} \sim +60^{\circ}\text{C}$ )
- Antenna Impedance : 50 $\Omega$
- Consumed Currency (13.6V) : TX high 6A max Max. Audio 1.5A max
- Power Supply : DC 24V (DC 18 ~ 31.2V)

### TRANSMITTER UNIT

- Antenna Output : HIGH/25W, LOW/1W
- Starting Mode : SYNTHESIZER mode
- Modulation Mode : VARIABLE REACTANCE FREQUENCY MODULATION
- Occupancy Band Width : Within :16KHz
- Max. Freq. Deviation :  $\pm 5$ KHz
- Spurious Emission : Over 70dB
- MIC Input Impedance : 2k $\Omega$

### RECEIVER UNIT

- Receiving Mode : DOUBLE CONVERSATION SUPER HETERODYNE
- Receiving Sensitivity : 0.32 $\mu\text{V}$  (20dB SINAD), 0.22 $\mu\text{V}$  (12dB SINAD)
- Squelch Sensitivity : Less than 0.22 $\mu\text{V}$

- Spurious Emission : Less than -70dB
- Residual Noise Level : Less than -40dB
- Audio Distortion Rate : Less than 10%(m=3, 300Hz, 500Hz, 1kHz)
- Audio Output : 4.5W / 4 $\Omega$

### DSC UNIT (CLASS D)

- Receiving Freq. : 156.525MHz
- Radio Wave Mode : G2B
- DSC Modulation Speed : 1200baud(Within 600Hz  $\pm 30 \times 10^{-6}$  Freq.)
- DSC Modulation Mode : FSK
- DSC Modulation Quotient : Within  $m=2 \pm 10\%$
- Adjacent Channel Select : Less than  $10^{-2}$  Bit error rate
- Spurious Response : Less than  $10^{-2}$  Bit error rate
- Inter-Modulation Response : Less than  $10^{-2}$  Bit error rate
- Dynamic Range : Less than  $10^{-2}$  Bit error rate

## COMPONENTS

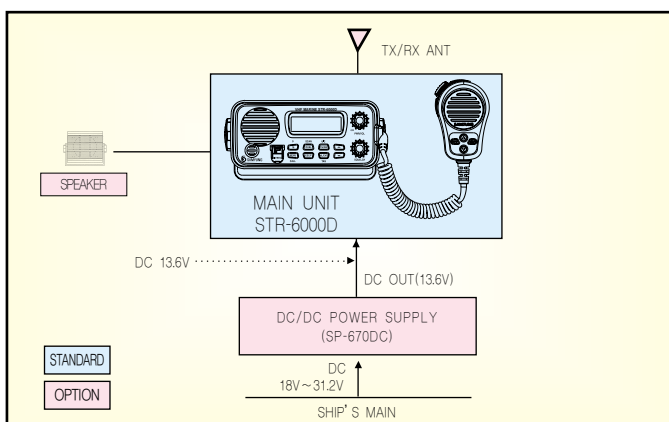
### STANDARD

- Transceiver Unit(STR-6000D)
- Hand MIC(SM-6000)
- Installation Material
- Instruction Manual

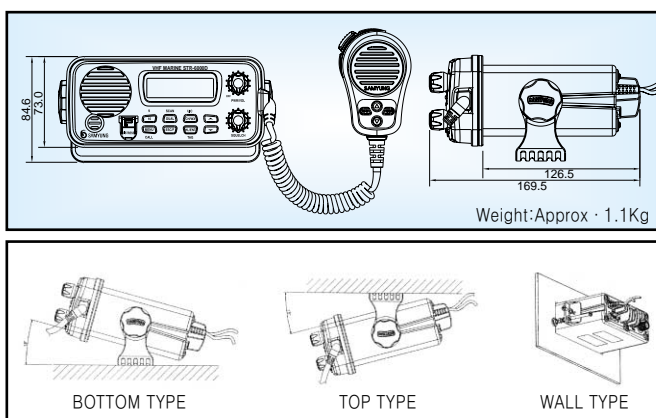
### OPTION

- Speaker (SS-6000)
- Whip Antenna (SAN-150)
- Power Supply (SP-670DC)
- Bracket for Flushing Type(SMB-60)

## CONFIGURATION



## DIMENSIONS & INSTALLATIONS



\* Specification is subject to change without pre-notice

**SAMYUNG ENC Co.,Ltd.**

Head Office : 1123-17, Dongsam-Dong, Youngdo-Gu, Busan, Korea, 606-083  
Tel : 82-51-601-5532(Rep.) Fax : 82-51-413-4446  
A/S Center : 65-20, 2-Ga Namhang-Dong, Yungdo-Gu, Busan, Korea, 606-032  
Tel : 82-51-601-5570~4(Rep.) Fax : 82-51-416-5515  
Http : //www.samyungenc.com



ISO 9001:2000 / KS A 9001:2001  
Certificate No. : RQM0645



KOSDAQ Listed Company