



IN COMPLIANCE WITH GMDSS

# CONSOLE TYPE (250W/400W) MF/HF DSC RADIO EQUIPMENT

## SRG-250/400

- ❖ Remote control by compact controller
- ❖ The existing communication type (C.W) possible
- ❖ Built-in self-test and easy maintenance owing to module unit
- ❖ Dual type, operable at indication panel and keyboard



New Products



SRG - 250/400



SAMYUNG ENC Co., Ltd.

# CONSOLE TYPE(250W/400W) MF/HF DSC RADIO EQUIPMENT

**SRG-250(250W)**  
**SRG-400(400W)**

SRG-250/400 Type MF/HF Radio Equipment is in compliance with the Global Maritime Distress and Safety System (GMDSS) developed by the International Maritime Organization (IMO) which is designed for automation, SSB, NBDP, DSC and MF/HF Radio Communication Equipment.

## SPECIFICATIONS

### General information

- Frequency range : TX : 1.6MHz ~ 27.5MHz(100Hz STEP)  
RX : 1.6MHz ~ 27.9MHz(10Hz STEP)
- TX/RX channel : Full ITU channels
- Memory channel : 2,000 channels
- Frequency tolerance : within 10Hz(within 0.3PPM)
- Modes of emission : J3E, H3E, F1B, J2B, A1A
- Communication mode : Simplex and duplex
- Operating temp. : -15°C ~ +55°C
- Power supply : AC 110/220V 50/60Hz & DC24V

### Transmitter

- Output power : 250W(SRG-250)/400W(SRG-400)
- Modulation mode : Low power level modulation type
- Occupation frequency band range : within J3E, H3E 3KHz  
within F1B, J2B, A1A 0.5KHz
- 2 Tone alarm : 1300Hz, 2100Hz

### Receiver

- Receiving type : Synthesized double super heterodyne type
- Modes of emission : J3E, H3E, R3E, FQB, J2B, F3C, A1A
- Image disturbance rate : more than 70dB
- Input impedance : 50

### DSC Rx

- Frequency : 2187.5, 4.27.5, 6312, 8414.5, 12577, 16804.5KHz
- Modes of emission : F1B, J2B
- Frequency stability : within 10Hz
- Speed of modulation : 100BAND

### NBDP

- Type of modulation : Phase sequence AFSK
- Intermediate frequency : 1700Hz
- Speed of modulation : 100BAND(ARQ, FEC MODE)
- Frequency tolerance : within 0.5Hz
- Mark : 7 units CORD 4B/3Y MARK signal

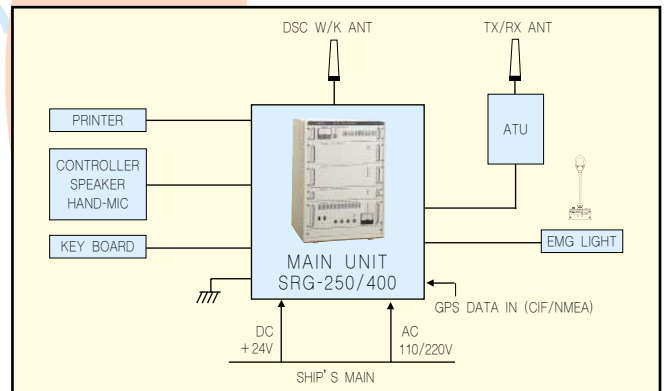
### Printer

- Type of printing : Heat sensitive serial dot type
- Character composition : 9 7 DOT WIDE
- Number of printing character : 40(standard size), 80(small size)
- Width of printing : 89.6mm
- Width of paper : 112mm

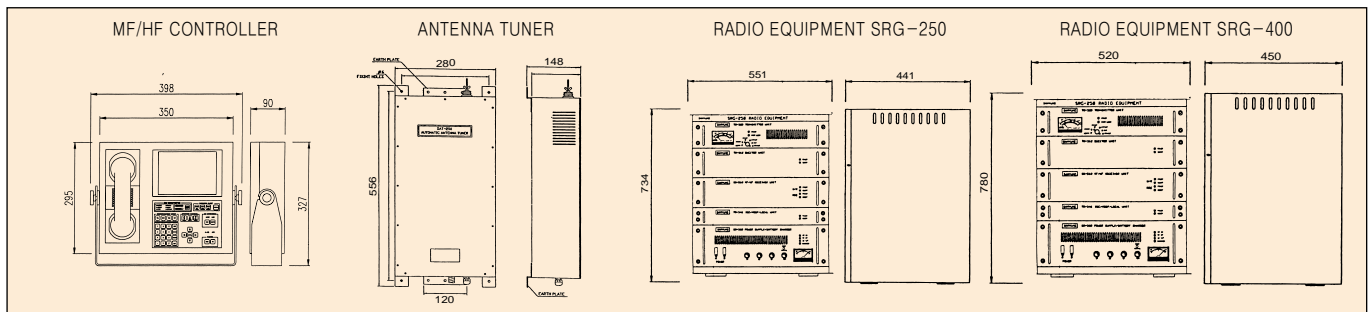
## COMPONENTS

- MF/HF Radio equipment ×1SET
- MF/HF Control Part ×1SET
- Keyboard ×1SET
- Antenna matcher ×1SET
- Printer ×1SET
- Connect cable & spare part ×1lot
- Instruction manual & Installation drawing ×set each

## CONFIGURATION



## DIMENSIONS



**SAMYUNG ENC Co.,Ltd.**

Head Office : 1123-17, Dongsam-Dong, Youngdo-Gu,  
Busan, 606-083, Korea  
Tel : 82-51-601-6666(Rep.) Fax : 82-51-412-6616  
Marketing & Service : 65-20, 2-Ga Namhang-Dong,  
Yungdo-Gu, Busan, 606-032, Korea  
Tel : 82-51-601-5530(Rep.) Fax : 82-51-413-4446  
Http : //www.samyungenc.com



ISO 9002 / KS A 9002  
Certificate No. : QSC92073

