

2320000607

SEAS 6000

Antenna (TV-AM-FM)



DESCRIPTION

- Worldwide Digital/Analog TV-AM-FM reception
- Automatic Level control ALC on 3 band
- Filter/wavetraps for VHF 156 MHz, AIS 162 MHz, LTE/4G 790 MHz to avoid interference
- Easy to install, no additional parts and no adjustments
- Antenna conforming to protection class IP68 (excl. BNC connector)

SPECIFICATIONS

MECHANICAL SPECIFICATION

Dimension (WxH)	(H) 260/180 x (W) 450 mm
Antenna Housing	White RAL 9010
Metal Base	Aluminium Die-Cast [ADC6], Finishing: Black paint, 50 mm/2"
Cable Connector	BNC Female
Weight	3.40 Kg and incl. 25m coax cable; 4.80 Kg

ELECTRICAL SPECIFICATION

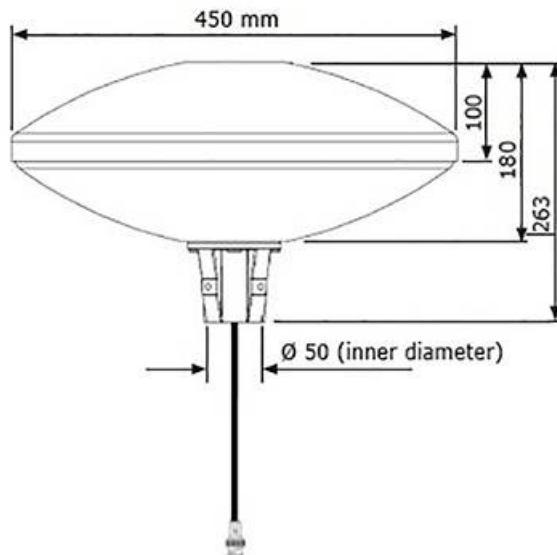
Amplifier Gain	AM 0.1~26.5 MHz >12 dB
	Band I/FM 40~110 MHz >25 dB
	VHF/DAB+ 170~240 MHz >25 dB
	UHF 470~890 MHz >25 dB
ALCs Output Level	95~100 dBuV max.
Intermodulation (Composite Triple Beat)	CTB < -60 dBc
Return Loss	16 dB*
Noise Figure	<4.5 dB
Supply Voltage	15 VDC (+/-10%)
Supply Current	app. 200 mA
Power Consumption	EN 61000-3-2/3-3, EN60945
EMC	EN 61000-3-2/3-3, EN60945
Operation Temperature	100% condensing
Impedance	75 Ohm

*) at 40 MHz - 1.5 dB/OCT.

ANTENNA FILTER / WAVETRAPS

VHF	156 MHz
A/S	162 MHz
LTE/4G	790 MHz

TECHNICAL DIMENSIONS



MECHANICAL MEASUREMENTS
Shell and metal base